

# VON DUPRIN®

## 88 Series

Exit devices



The Von Duprin 88 Series is a range of push bar exit devices designed to suit single and double door applications. The 88 Series can be used on aluminium, hollow metal or wood swinging commercial doors. Available as rim and surface mounted vertical rod devices.

The 88 Series has an architectural look, differing from the push-pads and has the added advantage of being field sizeable to suit doors as narrow as 600mm.

### Features

- Non-handed
- Field sizeable to accommodate a range of door openings
- Rim device has latch with 19mm throw and suitable for doors 600mm to 1220mm wide
- Vertical rod device has latch with 16mm throw and suitable for minimum door width of 600mm
- Optional external trims available for key access



Warranties	
Mechanical	10 years
Finish	<a href="http://allegion.co.nz/finisheswarranty">allegion.co.nz/finisheswarranty</a>

# Specification guide

Code prefix	Model	Length	Finish
VD	Rim device..... 88EO Vertical rod device .....8827EO	1220mm ..... 1200	Satin chrome plate ..... SCP

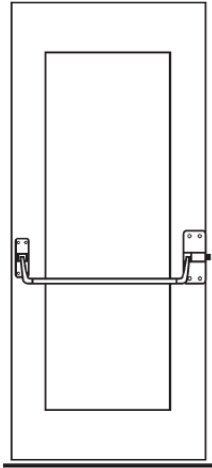
- Code prefix  
All codes are prefixed with ..... VD
- Model  
Select the desired model e.g. Rim device ..... VD88EO
- Length  
Select the desired length e.g. 1220mm ..... VD88EO-1220
- Finish  
Select the desired finish e.g. Satin chrome plate ..... VD88EO-1220SCP

## Applications

### Single door VD88EO

#### 88 Rim device

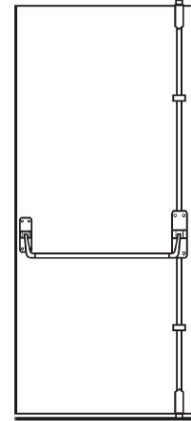
Minimum stile width 111mm with standard 299 strike



### Single door VD8827EO

#### 8827 Vertical rod device

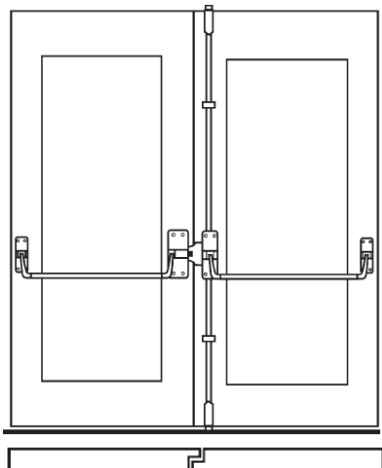
Minimum stile width 71mm



### Double rebated door VDDR88

#### 88 Rim device, 8827 vertical rod device, 1609 strike

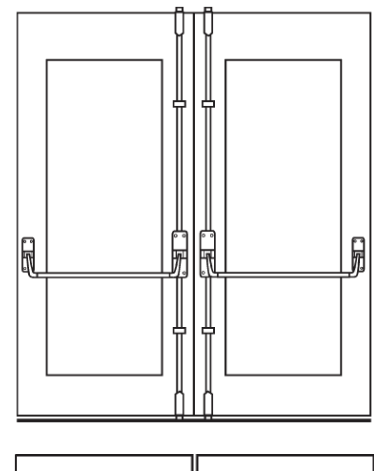
Minimum stile width 117mm



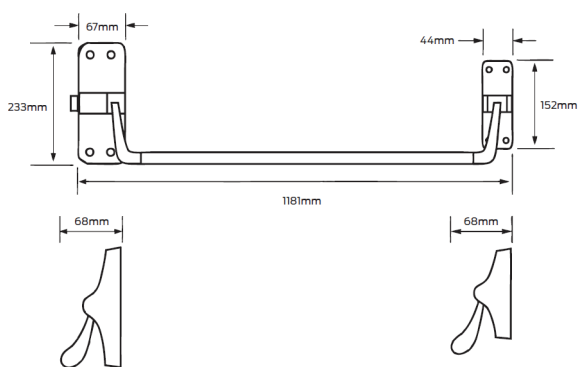
### Double non-rebated door VDDD8827

#### 2 x 8827 Vertical rod device

Minimum stile width 64mm



# VD88EO Exit Only Rim Device



## Features

- Suitable for all types of single doors
- Can be used in conjunction with an 8827EO surface mounted vertical rod device and 1609 strike for double rebated door applications
- When 88EO is used in conjunctions with 8827EO and 1609 strike on double rebated doors, the minimum stile width is 117mm
- Field sizeable to accommodate a range of door openings
- Single point locking device, with a 19mm throw latch
- The hex key dogging allows the latch to be held in a retracted position
- A dull black 299 strike is furnished with the device
- Device supplied with all fixing hardware and hex dogging key

## Finish



**SCP**

Satin Chrome  
Plate

## Specifications

<b>Device projection</b>	121mm (102mm depressed)
<b>Crossbar length</b>	1067mm - field sizeable
<b>Lock style case</b>	233mm x 67mm x 24mm
<b>Hinge style case</b>	152mm x 44mm x 24mm
<b>Crossbar tubing</b>	25mm diameter
<b>Door thickness</b>	Combination of fasteners are furnished for surface mounting or through bolting Surface mounted - 19mm minimum Through bolt - 44mm to 57mm
<b>Stile width</b>	111mm minimum with standard 299 strike 100mm minimum with optional 1606 strike
<b>Door width</b>	600mm minimum
<b>Door height</b>	2134mm standard. Extension rods available for door heights up to 3050mm.
<b>Handing</b>	Reversible
<b>Latch</b>	19mm throw
<b>Dogging</b>	Hex key dogging

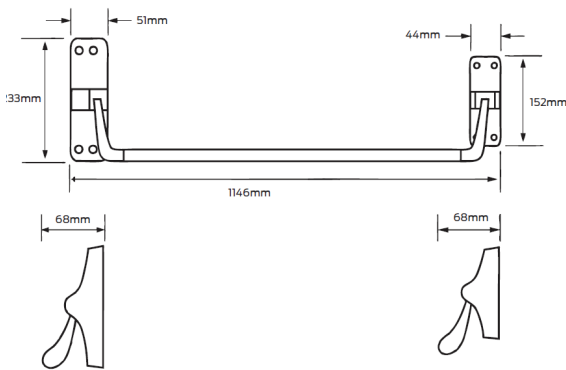
## Testing and Compliance



**Fire rated:** Tested on fire door assemblies in accordance with Australian Standards, refer fire door manufacturer for specific approval details.

# VD8827EO Exit Only Surface Mounted Vertical Rod Device

## Features



- Suitable for all types of single doors
- Can be used in conjunction with an 8827EO surface mounted vertical rod device and 1609 strike for double rebated door applications
- For rebated double door applications, the 8827EO should be used in conjunction with an 88EO rim device and 1609 strike
- When 88EO is used in conjunctions with 8827EO and 1609 strike on double rebated doors, the minimum stile width is 117mm
- Field sizeable to accommodate a range of door openings
- Multi-point locking device, with a 16mm throw top and bottom latch
- The hex key dogging allows the latch to be held in a retracted position
- Supplied with 248L-4, 299, and 304L strikes as standard
- Optional outside trim available

## Finish



**SCP**

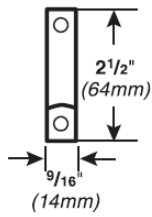
Satin Chrome  
Plate

## Specifications

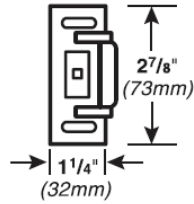
<b>Device projection</b>	121mm (102mm depressed)
<b>Crossbar length</b>	1067mm - field sizeable
<b>Lock style case</b>	233mm x 67mm x 24mm
<b>Hinge style case</b>	152mm x 44mm x 24mm
<b>Crossbar tubing</b>	25mm diameter
<b>Door thickness</b>	Combination of fasteners are furnished for surface mounting or through bolting Surface mounted - 19mm minimum Through bolt - 44mm to 57mm
<b>Stile width</b>	71mm minimum on single door 64mm minimum on double non-rebated door set
<b>Door width</b>	600mm minimum
<b>Door height</b>	2134mm standard. Extension rods available for door heights up to 3050mm
<b>Handing</b>	Reversible
<b>Latch</b>	19mm throw
<b>Length</b>	1146mm
<b>Dogging</b>	Hex key dogging

## Suitable strikes for VD8827EO

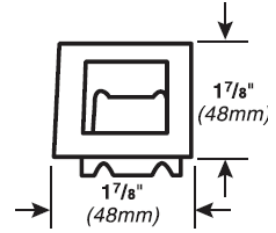
248L-4



299

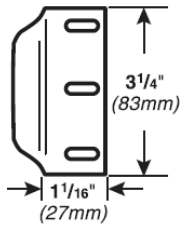


304L

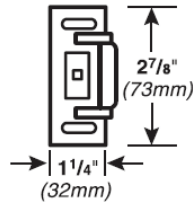


## Suitable strikes for VD88EO

1609



299



## 88 Series accessories

### Vertical extension rods

For doors over 2134mm high. Available in either 305mm or 914mm lengths. Rods are field sizeable

**Finish:** Satin chrome plate



Rod Extension Assembly

### Hex dogging key

Dogging key supplied standard with all exit device with dogging feature.

